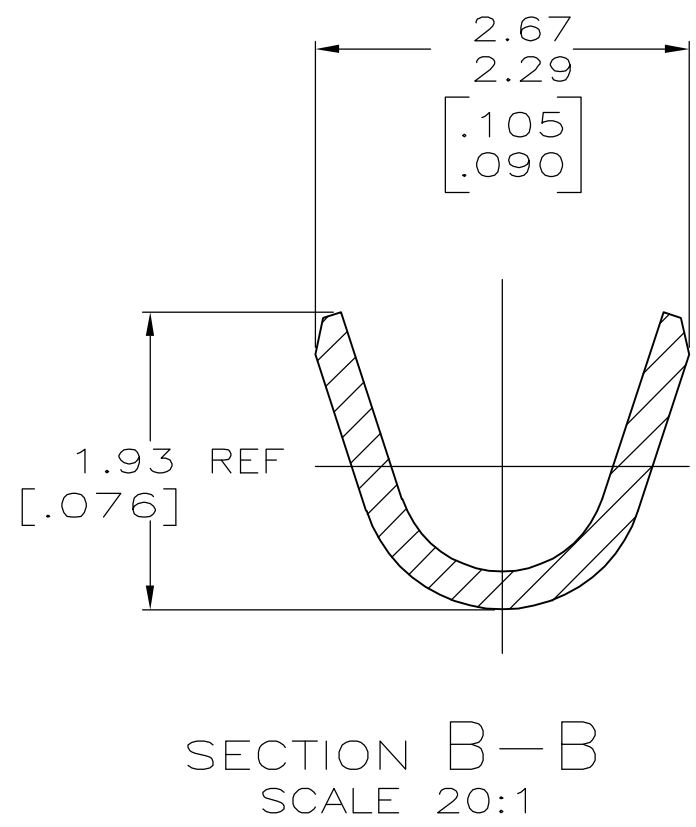
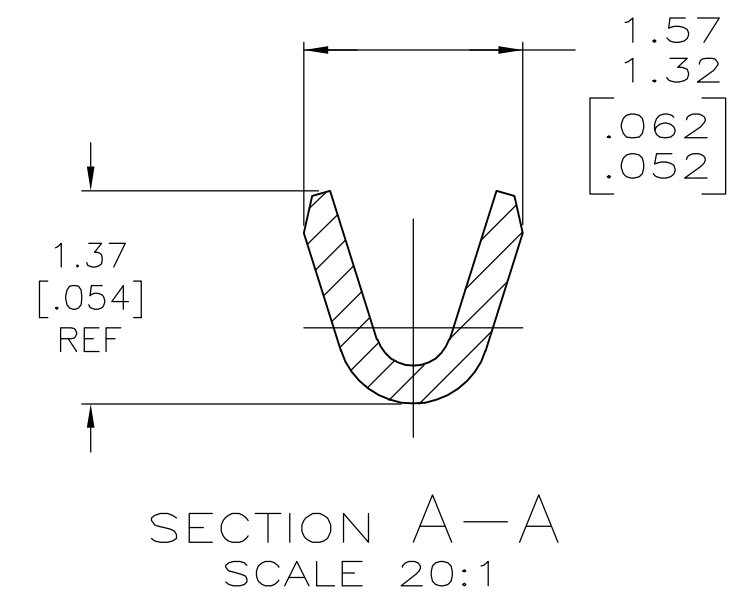
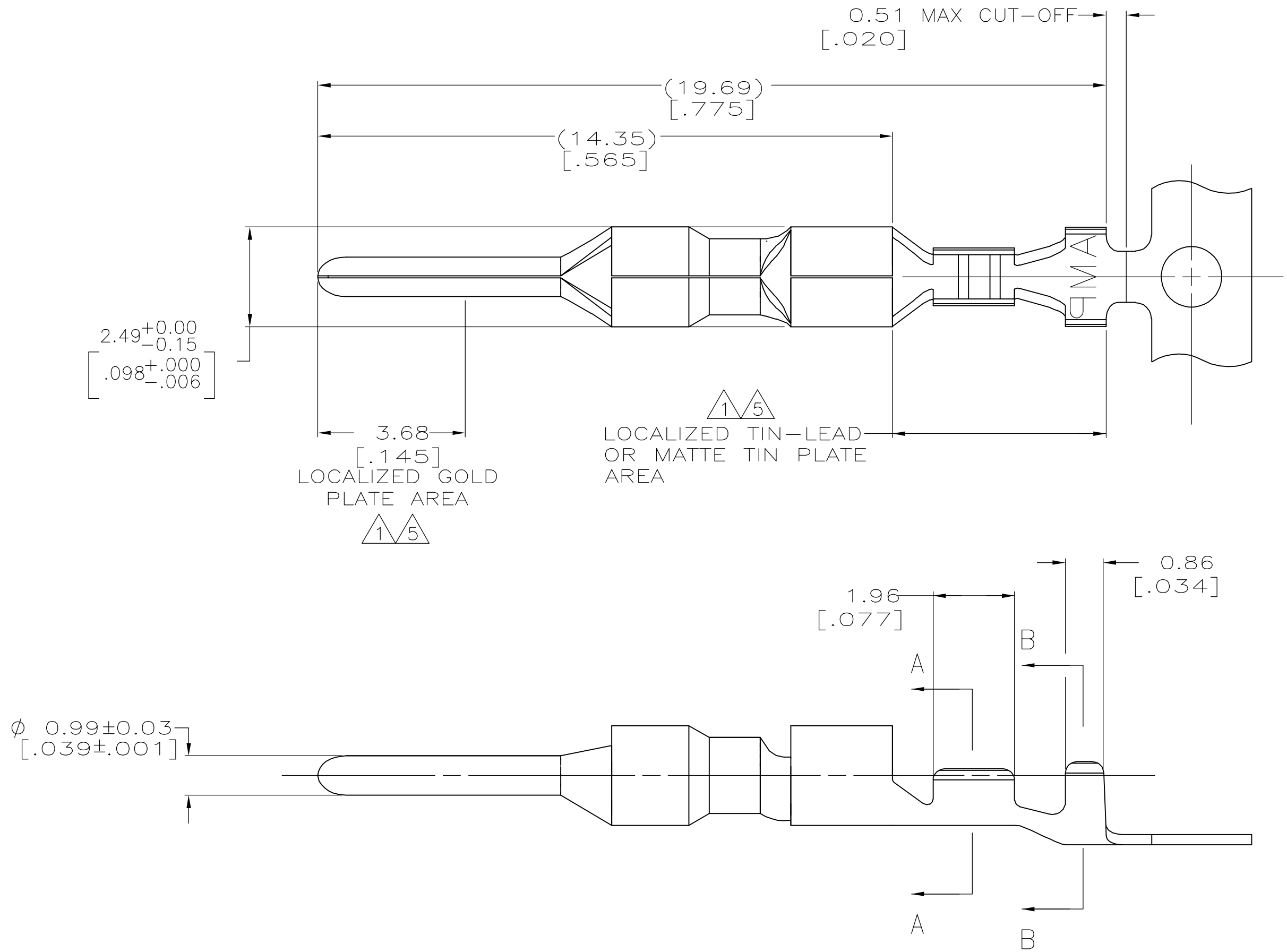


THIS DRAWING IS UNPUBLISHED. RELEASED FOR PUBLICATION
 © COPYRIGHT BY TYCO ELECTRONICS CORPORATION. ALL RIGHTS RESERVED.

LOC	DIST	REVISIONS					
CM	0	P	LTR	DESCRIPTION	DATE	DWN	APVD
		D		REVISED PER 0G3B-0237-05	9/21/05	SS	CJ

- ① 0.00076 [.000030] MIN GOLD IN LOCALIZED GOLD PLATE AREA AND 0.00254 [.000100] MIN BRIGHT TIN-LEAD IN LOCALIZED TIN-LEAD PLATE AREA OVER 0.0013 [.000050] MIN NICKEL.
- 2. WIRE RANGE: 0.05 - 0.15MM² (30-26 AWG).
- 3. INSULATION RANGE: 0.89-1.27 [.035-.050] DIA.
- 4. DIMENSIONS IN BRACKETS ARE IN INCHES.
- ⑤ 0.00076 [.000030] MIN GOLD IN LOCALIZED GOLD PLATE AREA AND 0.00254 [.000100] MIN MATTE TIN IN LOCALIZED TIN PLATE AREA OVER 0.0013 [.000050] MIN NICKEL.



⑤	0.25 [.010] BRASS	1-794216-0
①	0.25 [.010] BRASS	794216-3
PRE-TIN	0.25 [.010] BRASS	794216-1
FINISH	MATERIAL	PART NUMBER

THIS DRAWING IS A CONTROLLED DOCUMENT.

DIMENSIONS: mm [INCHES]	TOLERANCES UNLESS OTHERWISE SPECIFIED: 0 PLC ± - 1 PLC ± - 2 PLC ± - 3 PLC ± 0.15 [.006] 4 PLC ± - ANGLES ± - FINISH	DWN R. VESTAL 1-15-97 CHK R. SWING 1-15-97 APVD - PRODUCT SPEC - APPLICATION SPEC - WEIGHT - CUSTOMER DRAWING	Tyco Electronics Corporation Harrisburg, PA 17105-3608 NAME PIN, MINI UNIVERSAL MATE-N-LOK 2 SIZE A2 CAGE CODE 00779 DRAWING NO C=794216 RESTRICTED TO - SCALE 10:1 SHEET 1 of 1 REV D
----------------------------	---	---	--

794216

A